

**M8 MALE 0° SHIELDED WIREABLE SCREW TERM.**3-pol. 0,14...0.5mm<sup>2</sup>

Male straight

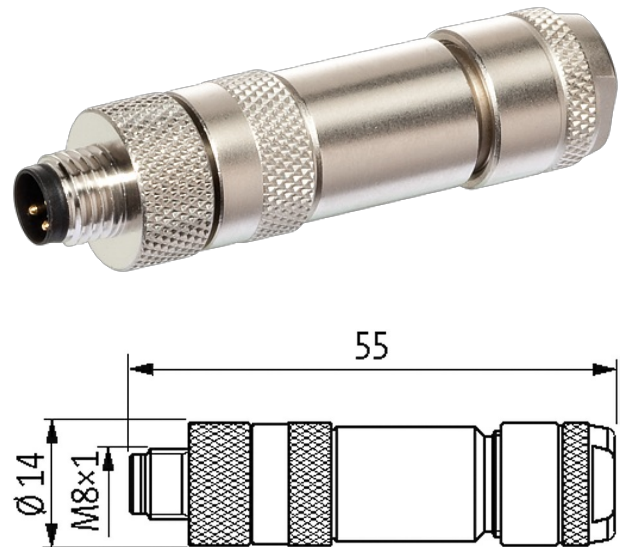
M8, 3-pole

shielded

Screw terminals

Connection cross section: 0.14...0.5 mm<sup>2</sup>

The resistance to aggressive media should be individually tested for your application. Further details on request.

**Illustration**

Product may differ from Image

**Form**

Form 08641

**General data**

Pollution Degree	3
Temperature range	-40...+85 °C
Material (contact)	Brass, gold plated
Dimensions H×W×D	55×14×14 mm

**Technical Data**

Operating voltage	max. 60 V
Rated surge voltage	1.5 kV
Operating current per contact	max. 4 A
Material group	III
Connection cross section	0.14...0.5 mm <sup>2</sup>
Sealing range (cable Ø)	4...5.5 mm
Protection	IP67 inserted and tightened (EN 60529)
Over voltage category	III

**Commercial data**

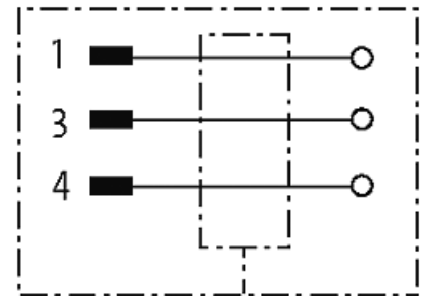
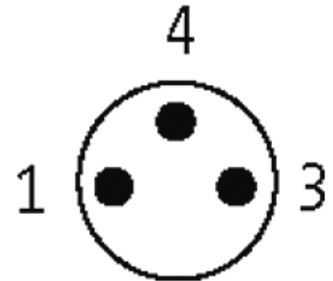
country of origin	DE
customs tariff number	85366990
EAN	4048879224499

eClass 27279221

Packaging unit 1

**Sketch**

Male



Product may differ from Image